









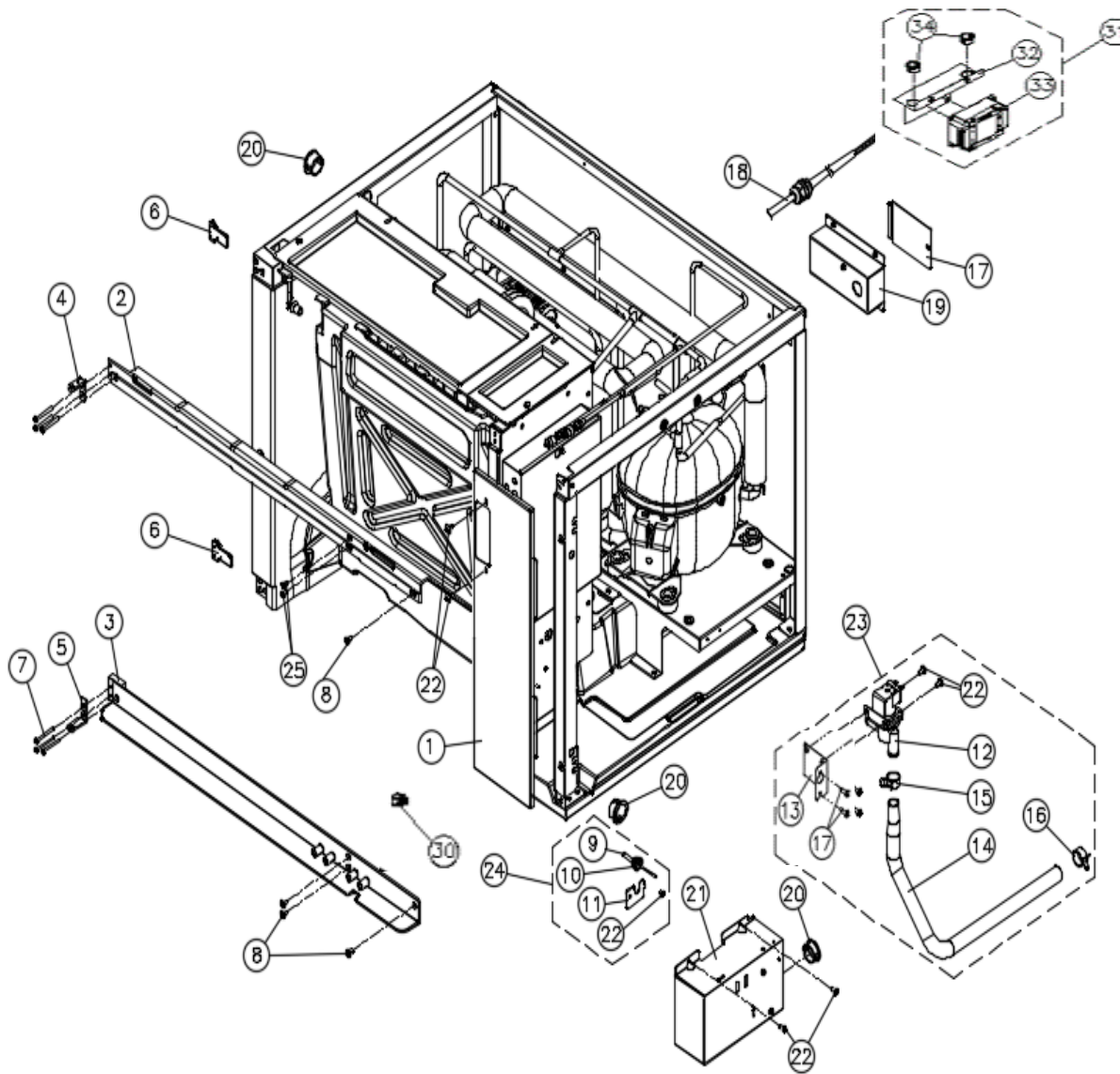








# IM-1100-WC/WH



| NO   | ITEMS                     | CODE         | Q'TY |
|--|---------------------------|--------------|------|
| 1  | FRONT COVER               | 317204600    | 1    |
| 2  | FRONT TOP SUPPORT         | 341012401    | 1    |
| 3  | FRONT LOWER SUPPORT       | 341012501    | 1    |
| 4  | HINGE BRACKET             | 321005110    | 1    |
| 5  | HINGE BRACKET DOWN        | 321005210    | 1    |
| 6  | HINGE SUPPORT             | 341012300    | 2    |
| 7  | TAPPING SCREW             | TFCQ0841R    | 6    |
| 8  | MACHINE SCREW             | MFCX1022R    | 4    |
| 9  | CURTAIN SENSOR            | 701002000    | 1    |
| 10   | SENSOR CAP                | 319009300    | 1    |
| 11   | COVER BRACKET             | 301169400    | 1    |
| 12   | DUMP VALVE                | 340025800    | 1    |
| 13   | BRACKET, DUMP VALVE       | 301169600    | 1    |
| 14   | PVC PIPE                  | 229032100    | 1    |
| 15   | BAND SPRING 20            | 203004200    | 1    |
| 16   | BAND SPRING 21            | 203003300    | 1    |
| 17   | JUNCTION BOX COVER        | 317197900    | 1    |
| 18   | POWER CORD                | 722014100    | 1    |
| 19   | JUNCTION BOX              | 374143800    | 1    |
| 20   | GROMMET BUSHING           | 232003500    | 2    |
| 21   | CAPACITOR BOX (BOX ONLY)  | 374144001    | 1    |
| 22   | MACHINE SCREW             | MTCX0816R    | 5    |
| 23   | DRAIN VALVE COMPLETE ASSY | #12~16,20,22 | 1    |
| 24   | SENSOR PARTS COMPLETE     | 701003300    | 1    |
| 25   | MACHINE SCREW             | MFCX1025R    | 2    |
| <b>NEW DESIGN (starting with serial number VA/ ~ )</b> |                           |              |      |
| 30   | POWER SWITCH              | 355025100    | 1    |
| 31   | NOISE FILTER ASSY         | 7220143D0    | 1    |
| 32   | NOISE FILTER BRACKET      | 301171111    | 1    |
| 33   | NOISE FILTER              | 500000900    | 1    |
| 34   | BUSHING                   | 232003600    | 1    |
|  |                           |              |      |
|  |                           |              |      |



