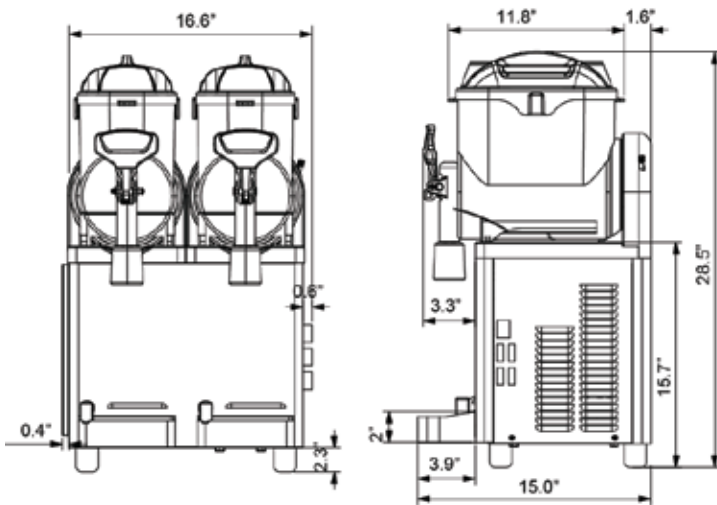




SSM-52



* Standard Warranty: 1 Year Parts & Labor

REV. 07/03/2023

Features and Benefits

- Fastest Freezing cycle
- 2.0 gal/bowl capacity
- Durable metal gear motor for long life and reliability
- Dispense a variety of frozen beverages
- Perfect performance in tropical zone
- Classical design
- Easy Maintenance & Cleaning
- Automatic shut down refrigeration control
- Easy removal drip tray

Specifications

| | |
|---|----------------------|
| Model | SSM-52 |
| Tank Capacity | 2.0 gallon x 2 Bowls |
| Legs | Rubber |
| Power Consumption | 0.67 HP (500 W) |
| Gear Motor | 67 W x 2 |
| Refrigerant | R134A |
| Compressor | 0.5 HP |
| Electrical <i>(included power cord with NEMA 5-15 plug)</i> | 115V / 60Hz / 1Ph |

Exterior

| DIMENSION | MACHINE | SHIPPING |
|-----------|----------|----------|
| Width | 16.6" | 19" |
| Depth | 15.0" | 18" |
| Height | 26.2" | 35" |
| Weight | 83.8 lbs | 99 lbs |

Certifications



Design and specifications are subject to change without notice

