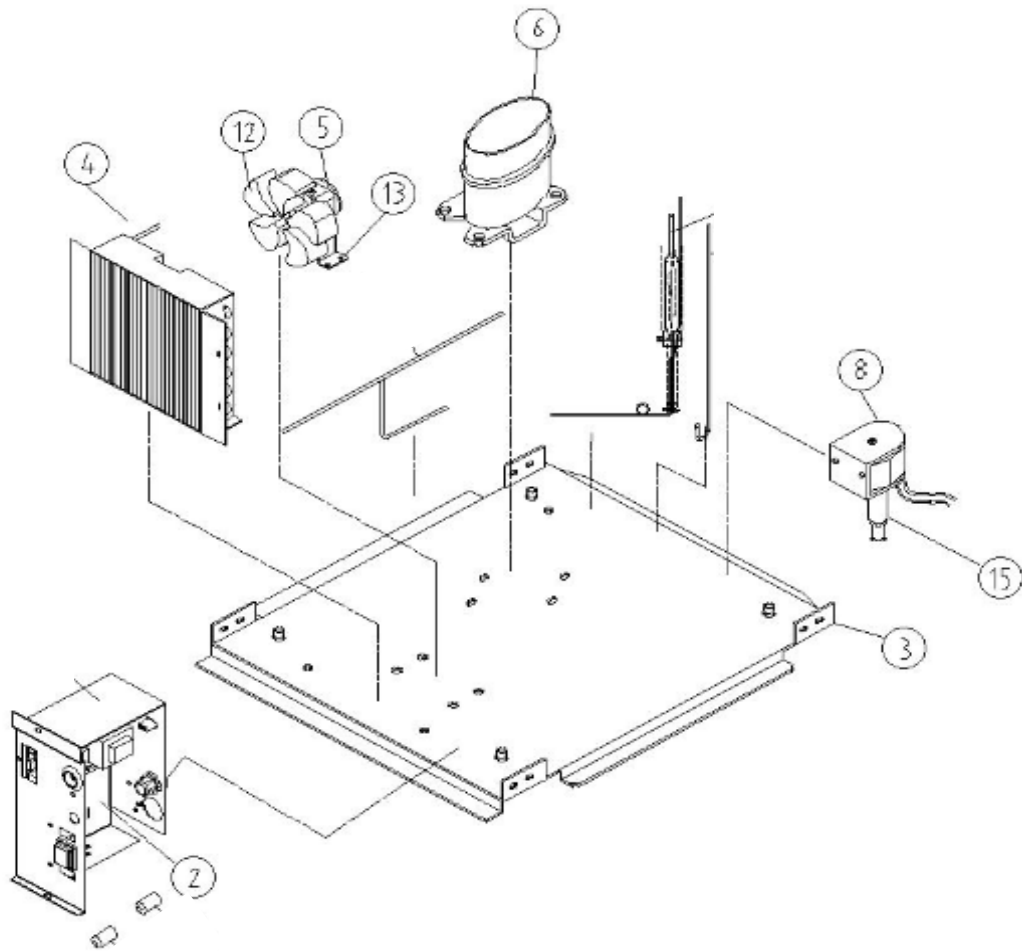
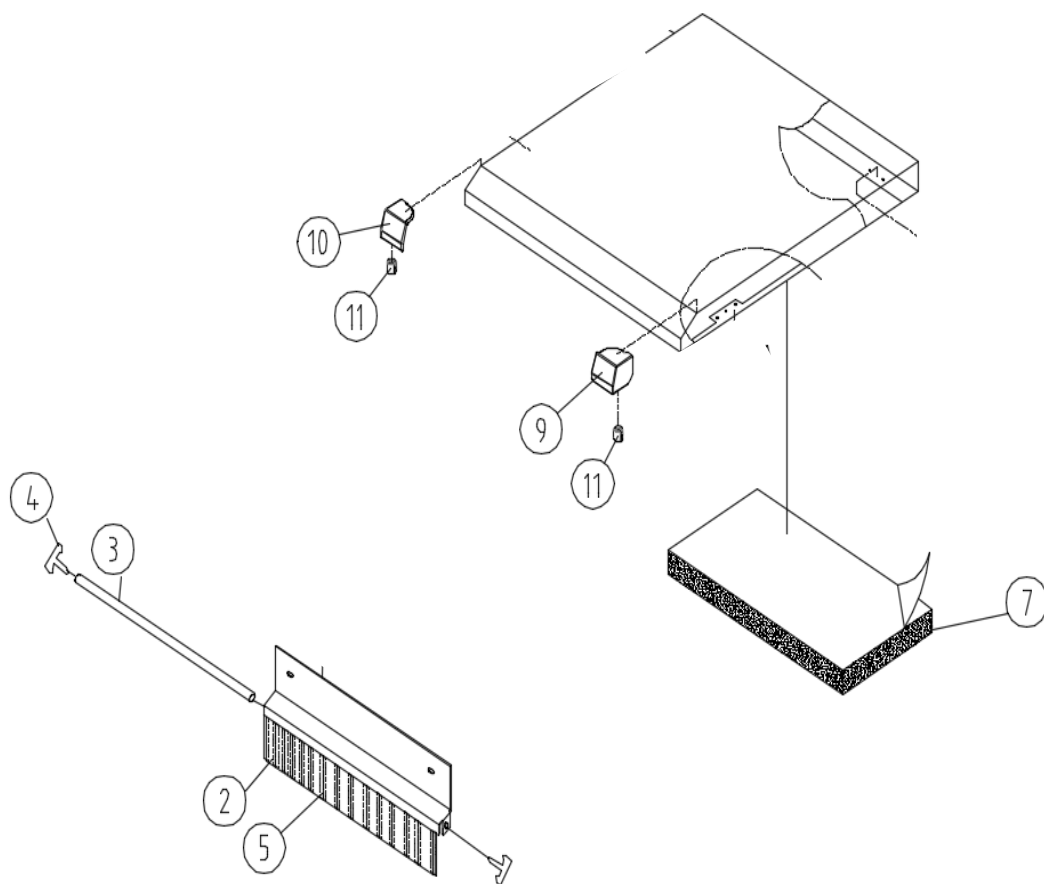


SCI-050 / WC-0100-AB



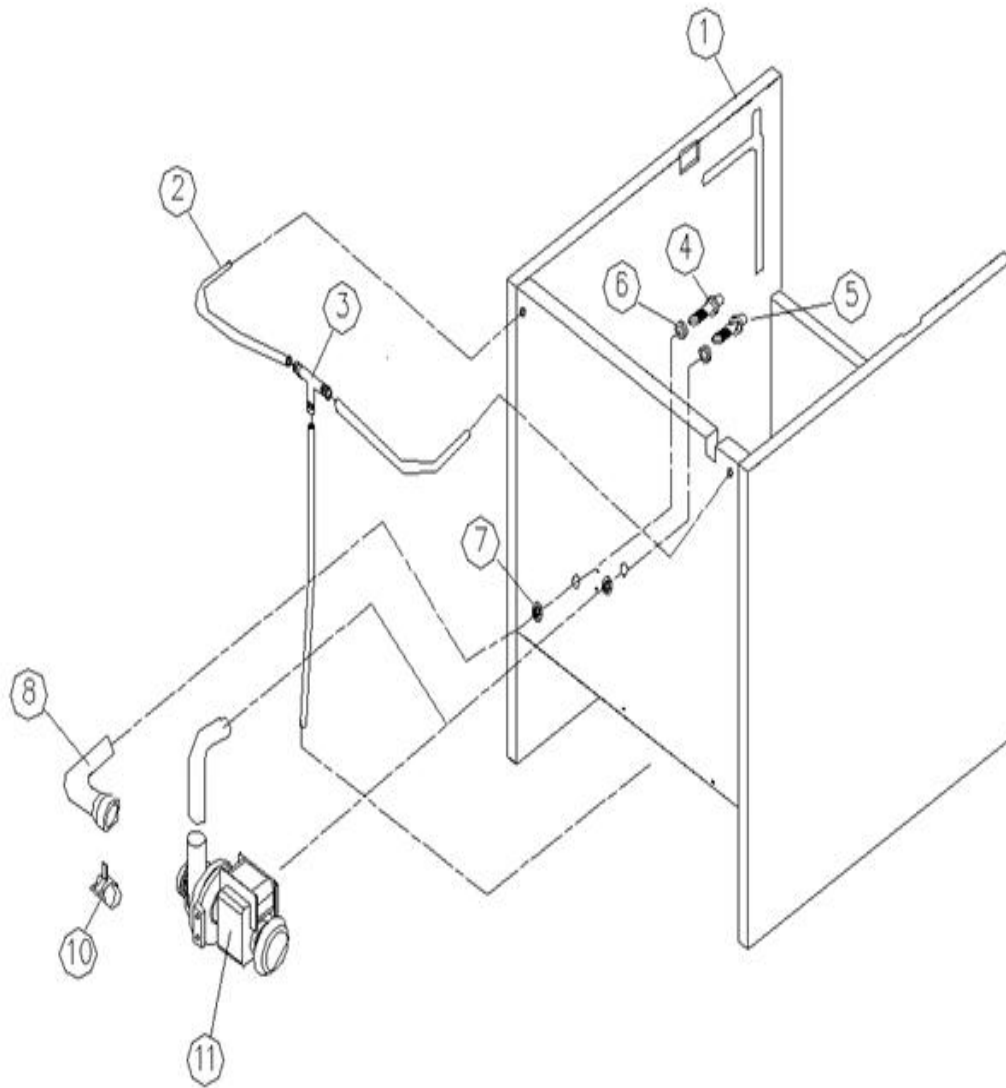
NO	ITEMS	CODE		
2	MAIN BORAD PCB	415009704		
4	CONDENSER ASSY	411007500		
5	FAN MOTOR	353017400		
6	COMP/HK6A3C2W	394006800		
8	SOLENOID VALVE COIL	340026900		
12	FAN	308003700		
15	SOLENOID VALVE BODY	340026800		

SCI-050 / WC-0100-AB



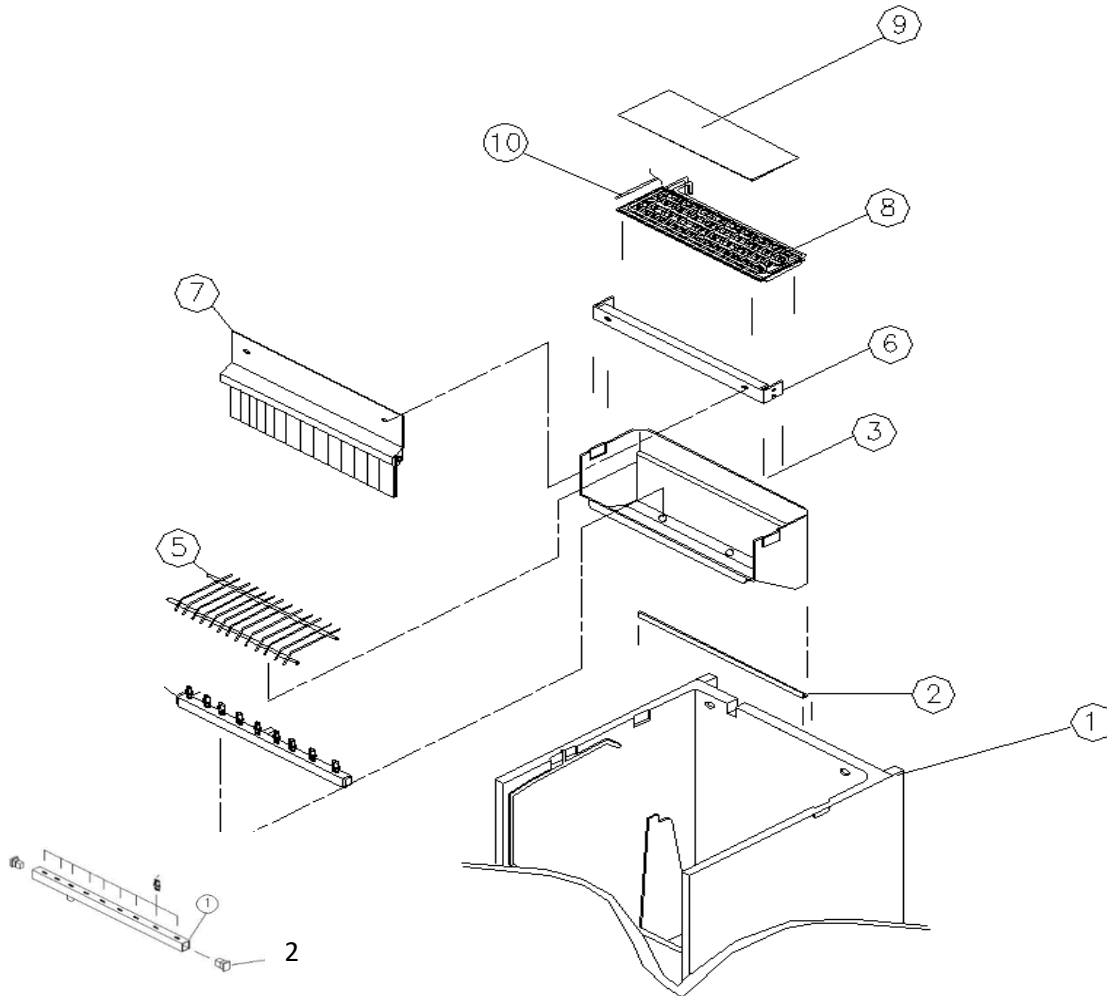
NO	ITEMS	CODE		
2	FLOW ICE FRONT	317072800		
3	PIN FLOW ICE	315001900		
4	BUTTON SUPPORT	318017600		
5	FLOW ICE BACK	317076600		
9	CORNER CAP (R)	349071800		
10	CORNER CAP (L)	349071900		
11	BUSHING	310004301		

SCI-050 / WC-0100-AB



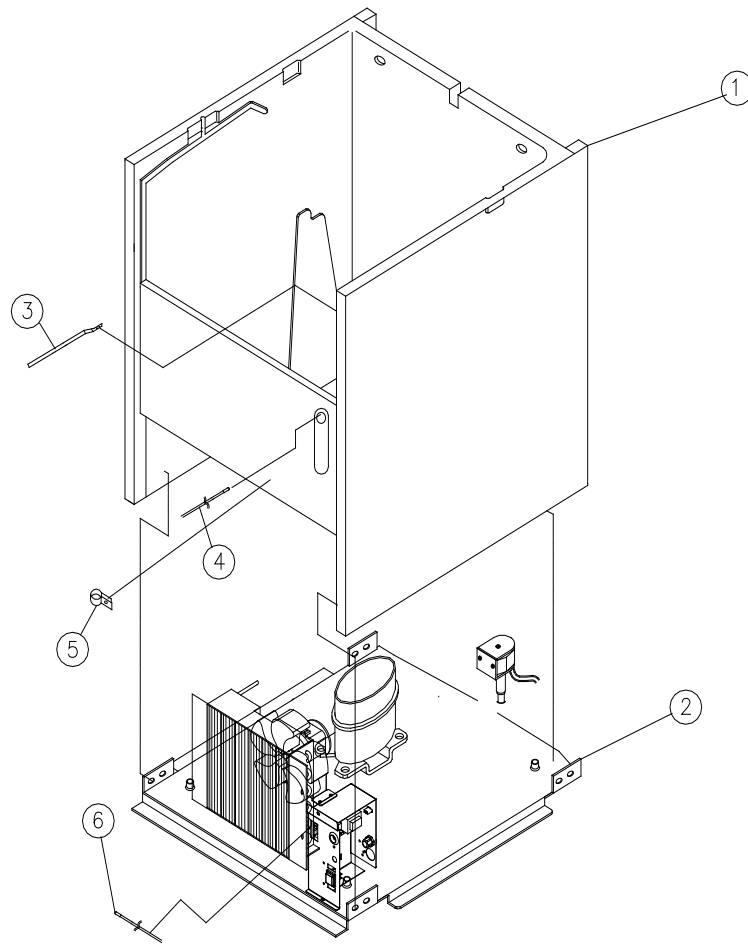
NO	ITEMS	CODE		
11	PUMP MOTOR	353016602		

SCI-050 / WC-0100-AB



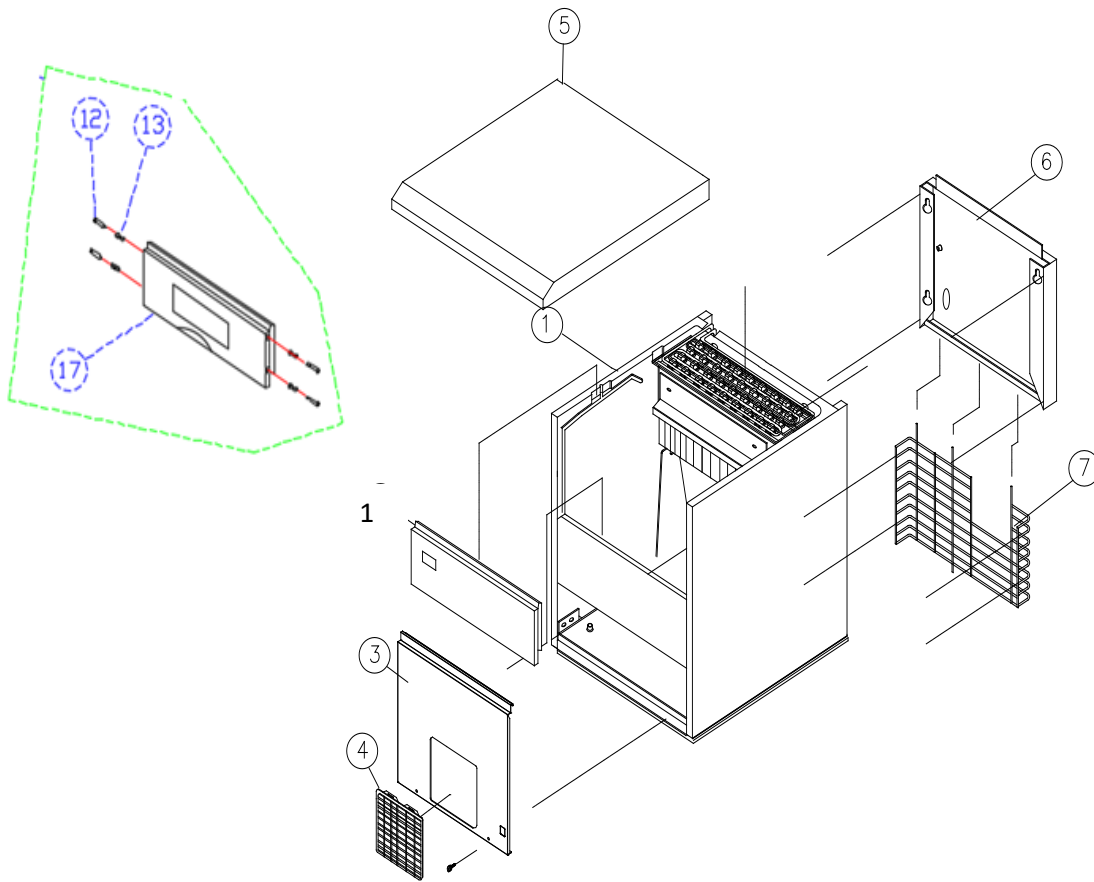
NO	ITEMS	CODE		
1	NOZZLE FRAME	348008000		
2	COVER NOZZLE THIN	303033900		
3	VESSEL-SHEET	604002701		
5	GUIDE ICE CUBIC	341010801		
8	EVAPORATOR PLATING ASSY	409031700		
10	EVA SENSOR (N)	655007200		

SCI-050 / WC-0100-AB



NO	ITEMS	CODE		
3	SAFETY TC SHAFT	316000403		
4	EVA SENSOR-S	655007400		
6	AIR SENSOR-S	655007601		

SCI-050 / WC-0100-AB



NO	ITEMS	CODE		
4	FILTER	640007400		
7	CONDENSER PROTECT	339005300		
12	SHAFT DOOR PIN	314005702		
13	SPRING DOOR SHAFT	323003702		
17	ASSY DOOR	447005000		