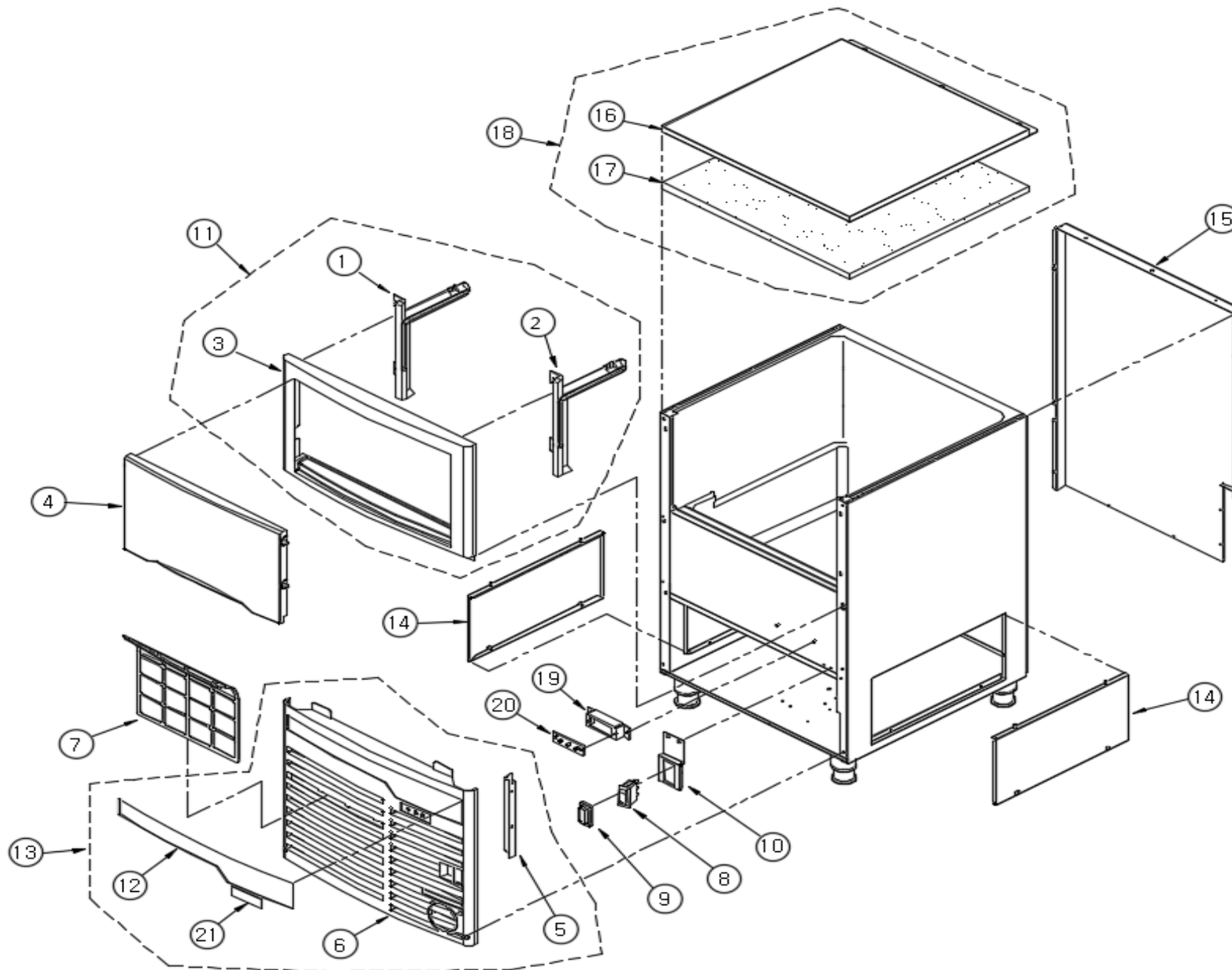


# WU-0100-AC

[ OUT CASE ASSY ]



NO	ITEMS	CODE
1	DOOR FRAME GUIDE L	391011201
2	DOOR FRAME GUIDE R	391011301
3	DOOR FRAME	391011100
4	BIN DOOR ASSEMBLY	447007500
5	BRACKET AIR FILTER GUIDE	301077800
6	FRONT PANEL	349064301
7	AIR FILTER	640005000
8	S/W-3L	355009800
9	COVER S/W	355008900
10	BRACKET MAIN SWITCH	443043400
11	DOOR FRAME ASSEMBLY	447007600
12	LABEL BRAND	380080300
13	ASSY FRONT PANEL SUB	432046900
14	OUT CASE SIDE COVER	301075200
15	BACK PANEL	301082203
16	TOP COVER	301081700
17	FOAM PE	306021900
18	ASSY TOP COVER	442007900
19	BRACKET LED LAMP	301110000
20	DISPLAY PCB ASSY	415001200
21	LABEL DISPLAY	380097700
22		
23		
24		
25		
26		
27		
28		
29		
30		
31		









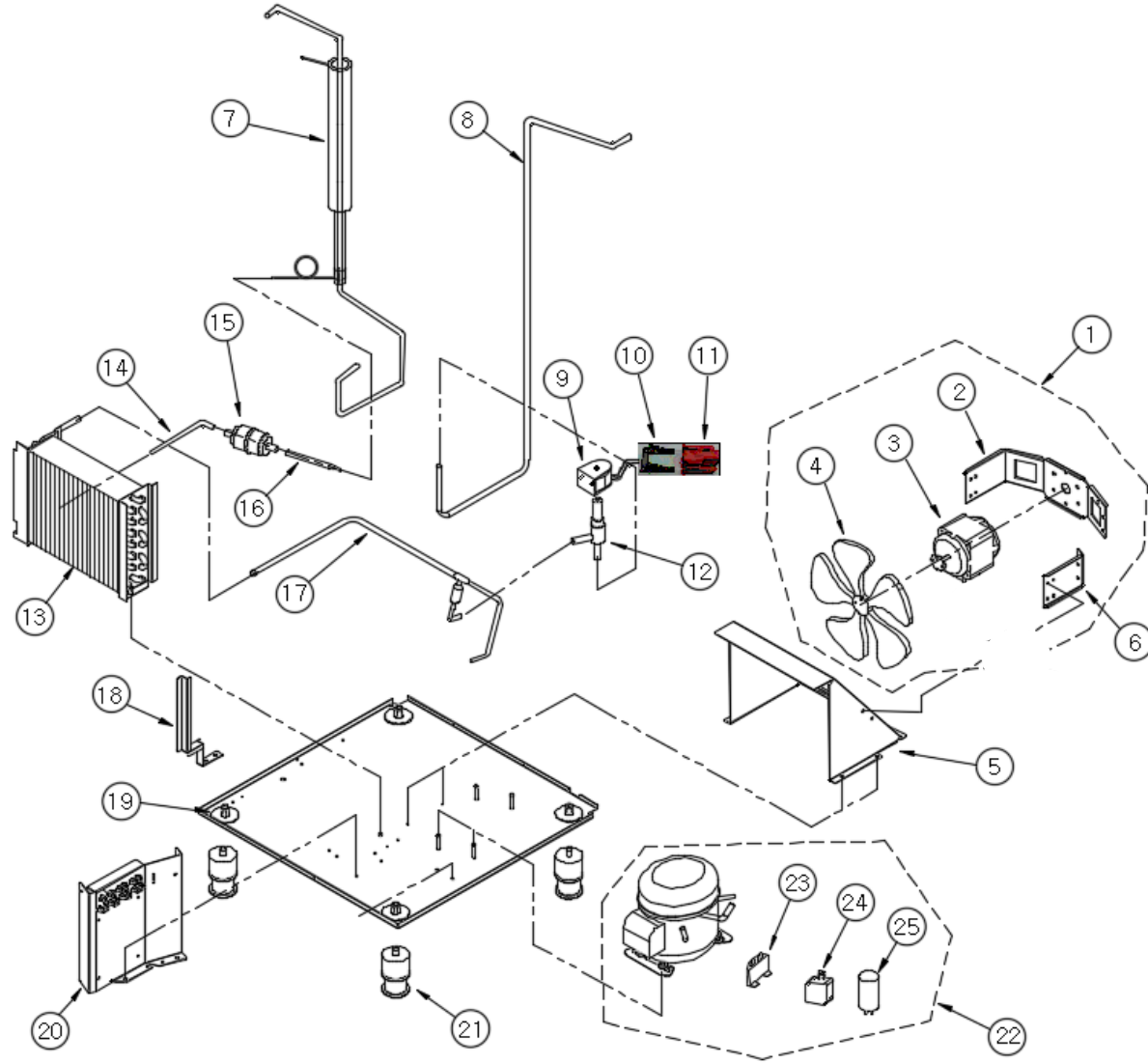


# WU-0100-AC

\* Manufactured before January 2018

\*\* Manufactured after January 2018

## [ CYCLE BASE ASSY ]



NO	ITEMS	* CODE	NO	ITEMS	** CODE
1	ASSY FAN MOTOR	406012700	1	ASSY FAN MOTOR	406012710
2	BRACKET MOUMT MOTOR ONE	301079300			
3	FAN MOTOR	353021600	3	FAN MOTOR	353025900
4	FAN	308003800	4	FAN	308003700
5	BRACKET COND SHROUD	301101100			
6	BRACKET MOUNT MOTOR TWO	301079400			
7	SUCTION ASS'Y	433015101	7	SUCTION ASS'Y	433015110
8	HOT GAS PIPE	325069101	8	HOT GAS PIPE	325069110
9	SOLENOID VALVE COIL	340026900			
10	TERMINAL	371000200			
11	HOUSING	370001600			
12	SOLENOID VALVE BODY	340026800			
13	CONDENSER ASS'Y	411010600	13	CONDENSER ASS'Y	411010300
14	CONDENSER OUT PIPE	325069200	14	COND TO DRIER	325141700
15	FILTER DRYER	372001600			
16	DISTRIBUTE SUCTION	335000301	16	DRIER TO CAPILLARY	325141800
17	DISCHARGE PIPE	325069000	17	DISCHARGE PIPE	325069010
18	BRACKET AIR FILTER	301077400			
19	BASE PLATE ASSEMBLY	412035900	19	BASE PLATE ASSEMBLY	412035910
20	CONTROL BOX ASS'Y	426041800			
21	LEVELLING FOOT	302002300			
22	COMPRESSOR	394009800	22	COMPRESSOR	394022200
23	PTC-RELAY	357010100	23	Including COMP	-
24	OLP	658004300	24	Including COMP	-
25	START CAPACITOR	659008100	25	Including COMP	-
			26	BRACKET EURO MOTOR	301131100



