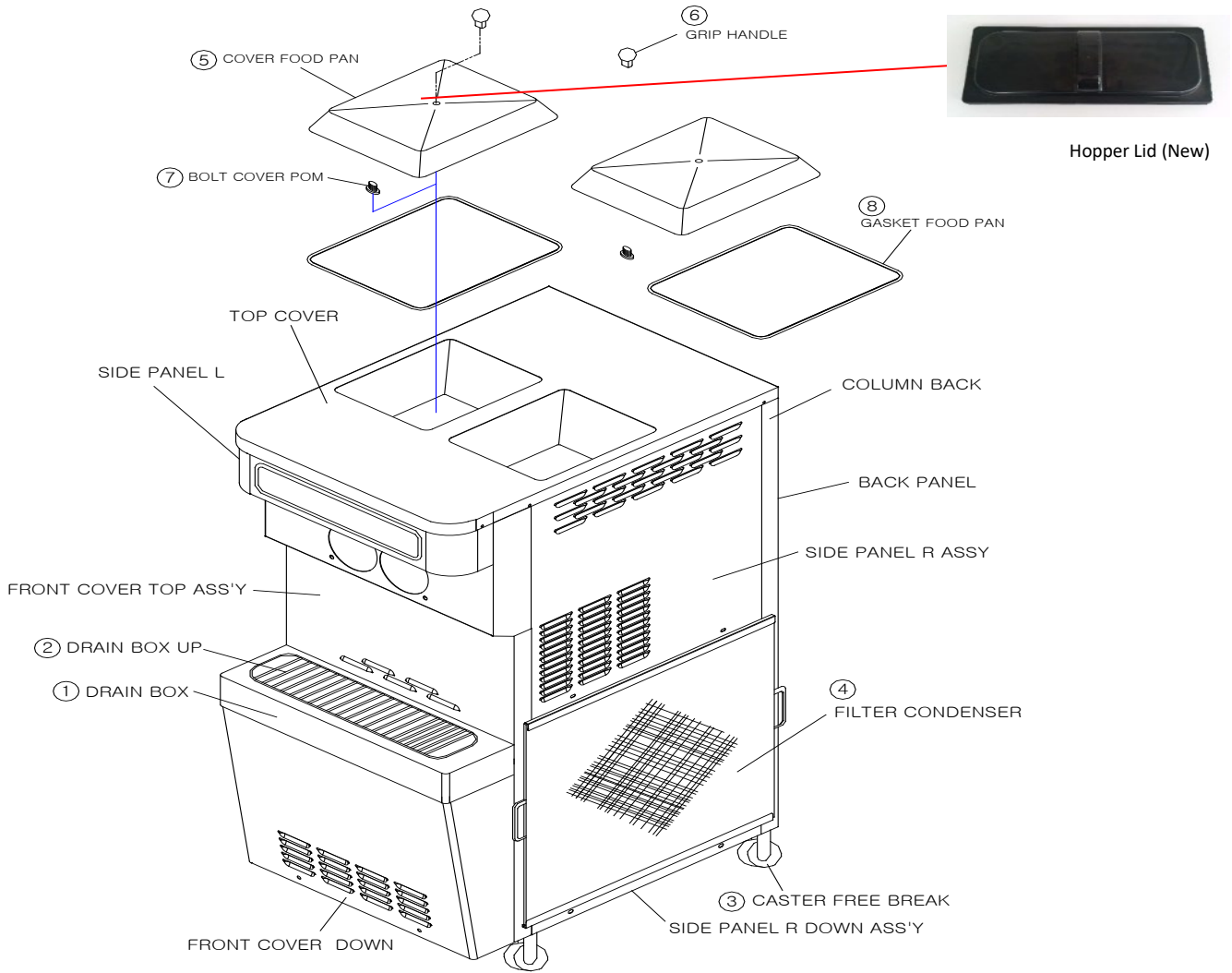
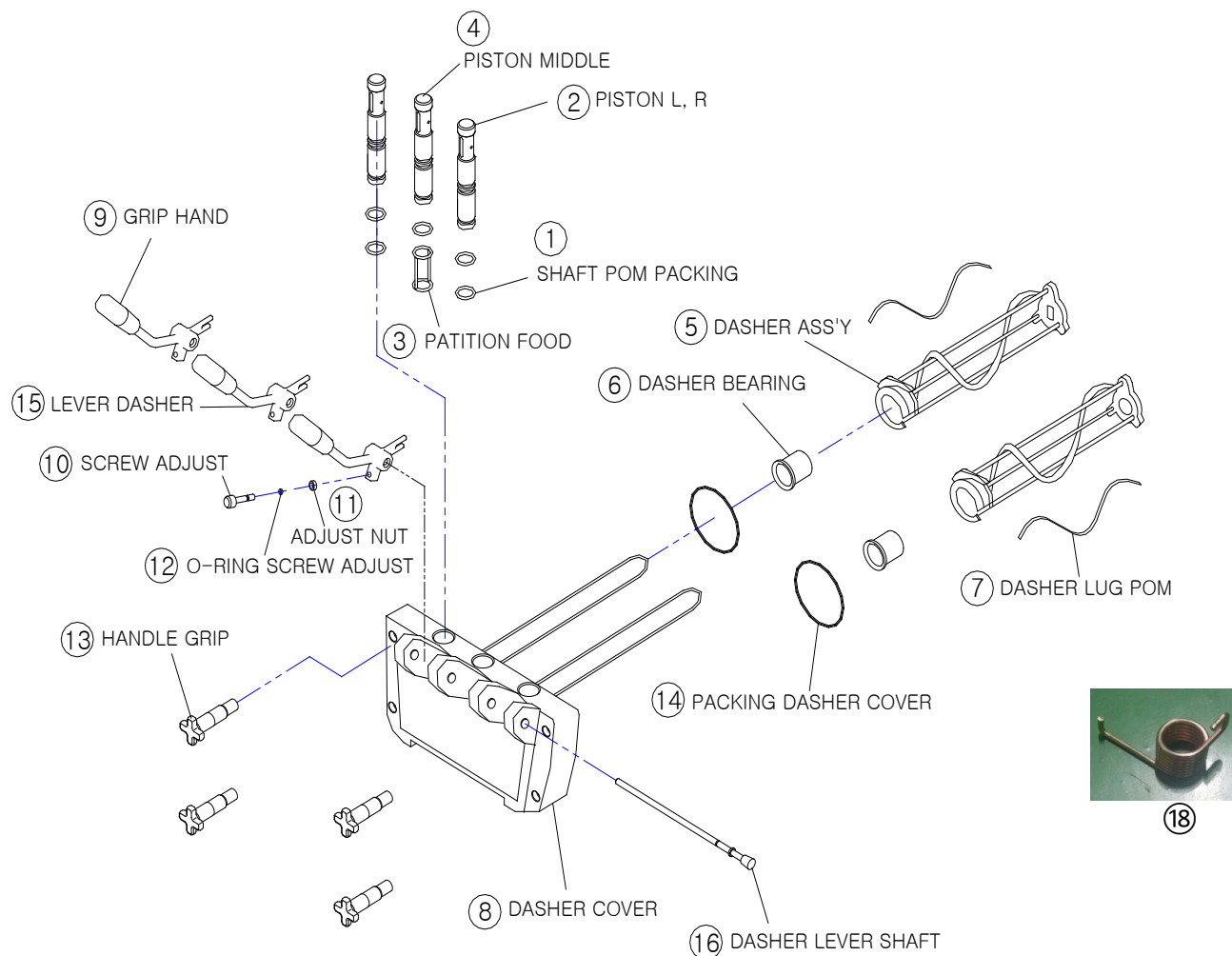


SSI-203S (1PH), ISI-203SN (1Ph/3Ph)

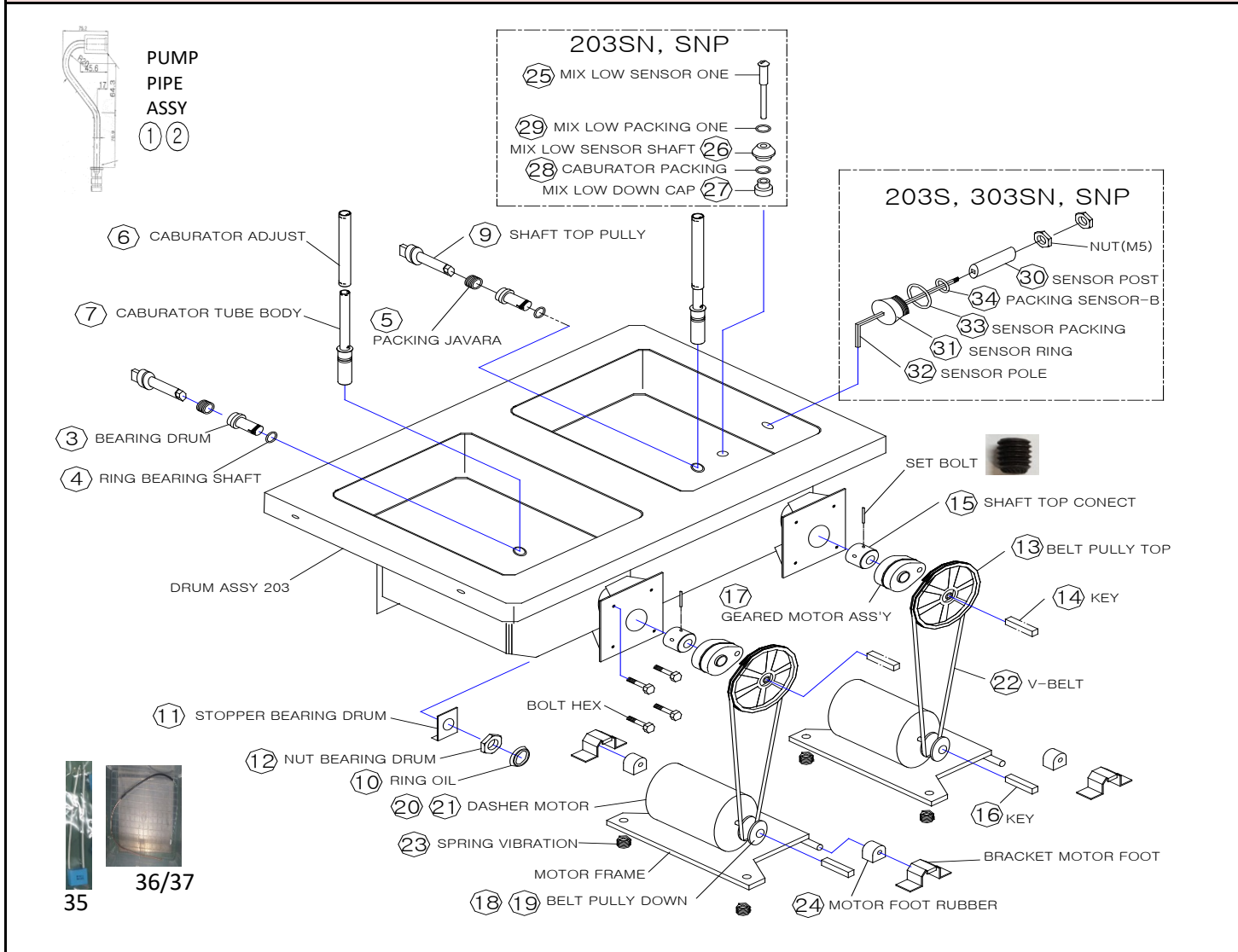
Revised Mar, 2020



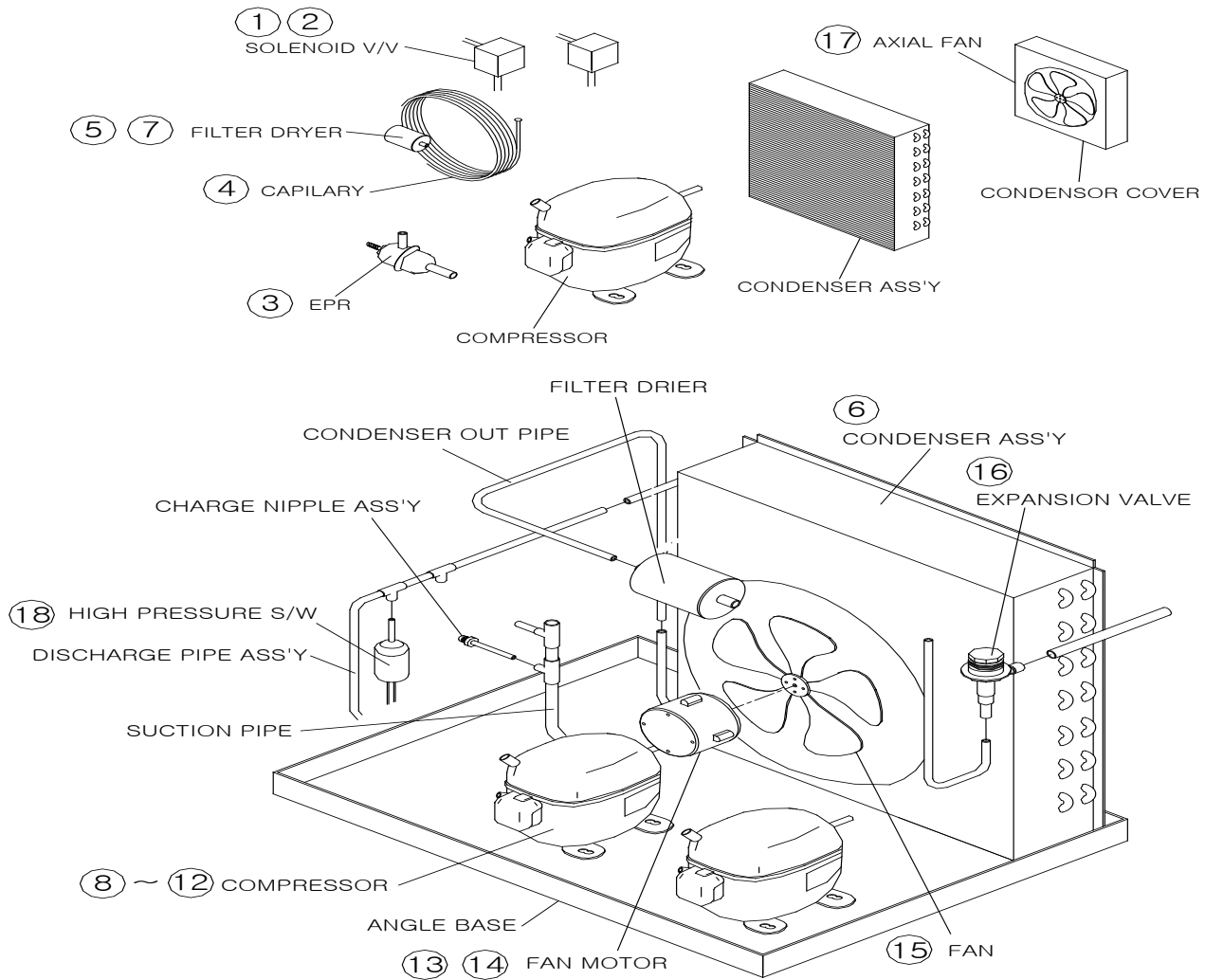
No	Part name	Description	Part code
1	DRAIN BOX	DRAIN TRAY	336011300
2	DRAIN BOX UP	SPLASH GUARD	610021800
3	CASTER FREE BREAK	CASTER WITH ROCK	218002700
4	FILTER CONDENSOR	FILTER	640006100
5	COVER FOOD PAN	HOPPER LID (OLD for 203S)	308002200
5-1	COVER BASKET	HOPPER LID (NEW for 203SN)	317102502
6	GRIP HANDLE	[SET 6/7] HOPPER LID HANDLE (OLD for 203S)	342001900
7	BOLT COVER POM	[SET 6/7] HOPPER LID BOLT (OLD for 203S)	214014800
8	GASKET FOOD PAN	HOPPER LID GASKET for 203S	656000800



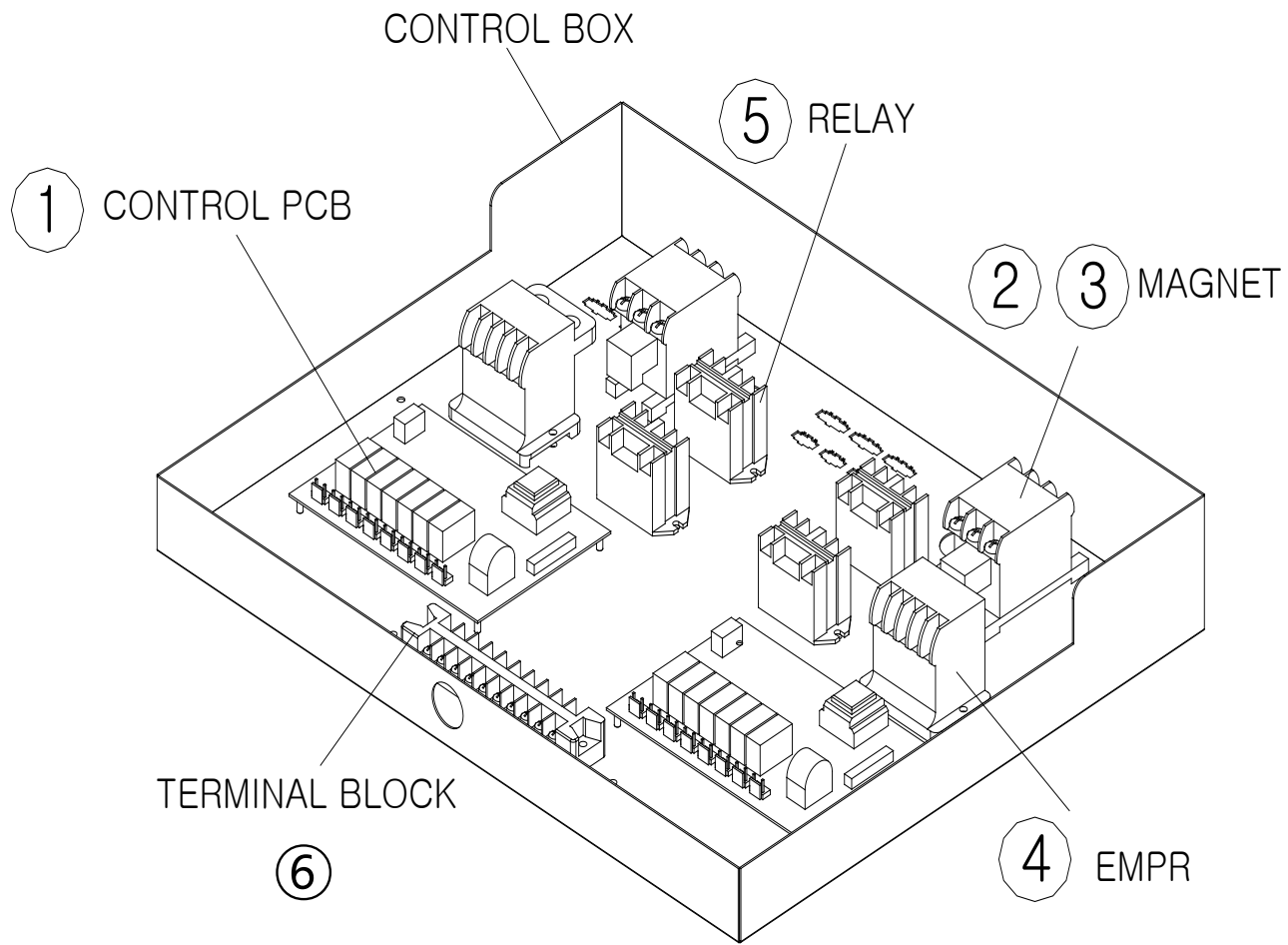
No	Part name	Description	Part code
1	SHAFT POM PACKING	O-RING SIDE	232002700
3	PATITION FOOD	O-RING MIDDLE	232002800
2	PISTON (L/R)	[SET 2/2-1] PLUNGER SIDE	314034900
2-1	PISTON PIN	[SET 2/2-1] PLUNGER PIN	315002900
4	PISTON MIDDLE	[SET 4/4-1] PLUNGER MIDDLE	314034800
4-1	PISTON PIN	[SET 4/4-1] PLUNGER PIN	315002900
5	DASHER ASSY	DASHER	403007200
6	DASHER BEARING	DASHER BEARING	310001000
7	DASHER LUG POM	BLADE (NEW)	403010000
8	DASHER COVER	DASHER COVER	317140602
14	PACKING DASHER COVER	DASHER COVER O-RING (NEW)	303025800
	PACKING DASHER COVER	DASHER COVER O-RING (OLD)	303007500
9	GRIP HAND	DRAW HANDLE GRIP	342002600
15	LEVER DASHER	DRAW HANDLE w/ GRIP	309003200
10	SCREW ADJUST	[SET 10/11/12] DISPENSING CONTROL	210806100
11	ADJUST NUT	[SET 10/11/12] DISPENSING CONTROL_NUT	215011000
12	O-RING SCREW ADJUST	[SET 10/11/12]DISPENSING CONTROL_O-RING	303017700
13	HANDLE GRIP	DASHER COVER BOLT	443038600
16	LEVER SHAFT	DASHER HANDLE SHAFT	314007000
16-1	O-RING LEVER SHAFT	DASHER HANDLE SHAFT RING	303020000
18	LEVER SPRING	PLUNGER SPRING	323002500
-	MIXING SHAFT	MIXING SHAFT	314011300
-	ASSY MICRO SWITCH LEVER	LEVER SPRING ASSY	460001700
-	STAR MADE SOCKET	STAR ADAPTER	388003700
-	ROUND MADE SOCKET	ROUND ADAPTER	388003500
-	COMB MADE SOCKET	COMB ADAPTER	388003400



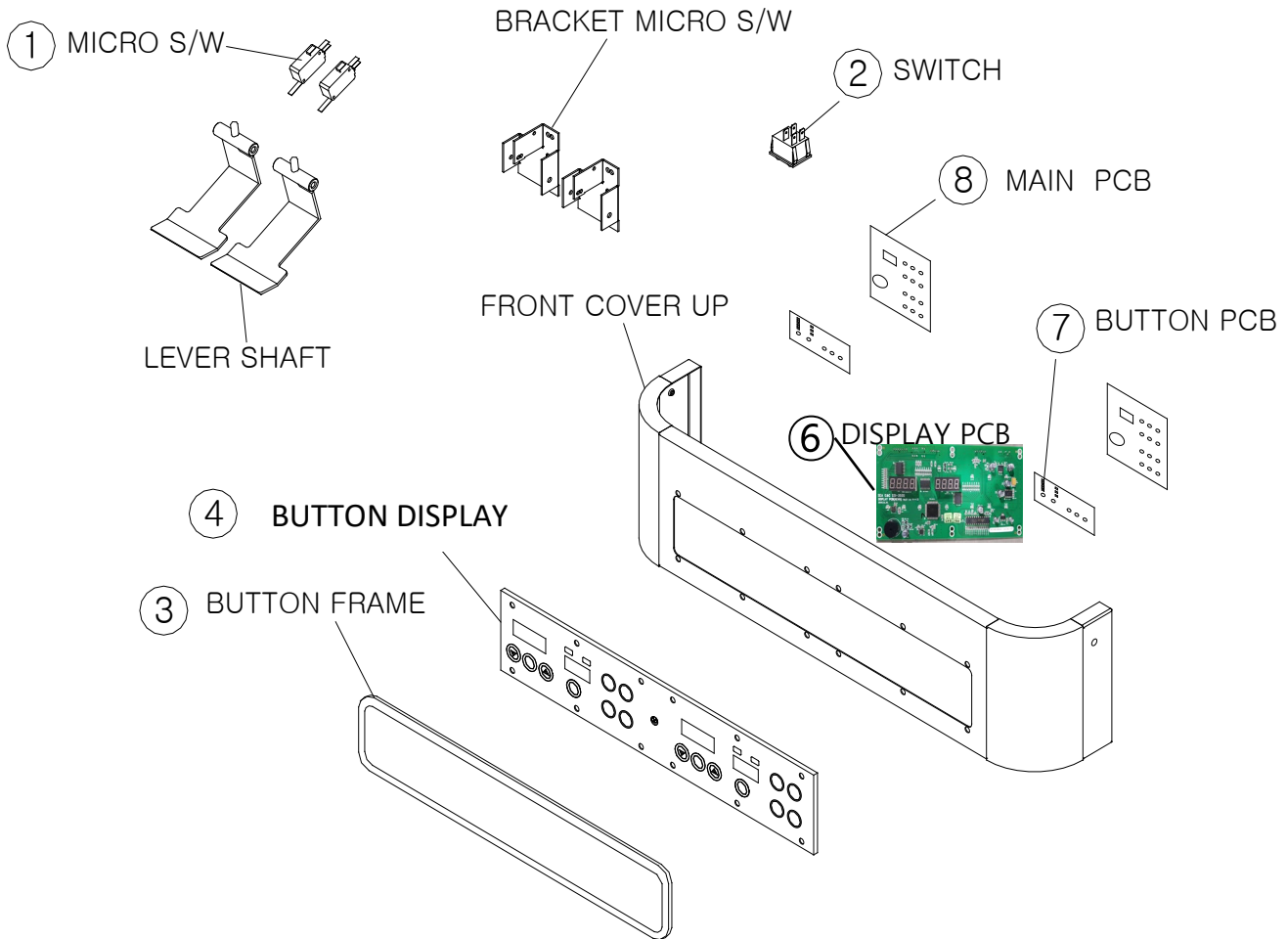
No	Part name	Description	Part code
1	PUMP PIPE ASSY_L	AIR PUMP PIPE ASSY_L (for 203SNP)	406018300
2	PUMP PIPE ASSY_R	AIR PUMP PIPE ASSY_R (for 203SNP)	406018400
3	BEARING DRUM	[SET 3/4/11/12] DRUM BEARING	327005701
4	RING BEARING SHAFT	[SET 3/4/11/12] DRUM BEARING_RING	232003700
11	STOPPER BEARING DRUM	[SET 3/4/11/12] DRUM BEARING_STOPPER	398009100
12	NUT BEARING DRUM	[SET 3/4/11/12] DRUM BEARING_NUT	327005500
5	PACKING JAVARA 16	BOOT SEAL	303031700
6	CARBURETOR ADJUST	[SET 6/7] CARBURATOR TUBE	234000400
7	CARBURETOR TUBE BODY	[SEY 6/7]CARBURATOR TUBE SLEEVE	234000800
8	RING CARBURETOR	CARBURATOR RING	232002500
9	SHAFT TOP PULLY	DRIVE SHAFT BOLT	314013301
10	RING OIL	RING OIL	232001900
13	BELT PULLY TOP	BELT PULLY TOP	307002000
14	KEY	[SET 14/14-1/15] KEY	219001500
14-1	KEY	[SET 14/14-1/15] KEY (SHORT)	219001800
15	SHAFT TOP CONECT	[SET 14/14-1/15] SHAFT CONNECTOR	314006100
15-1	SET BOLT	SET BOLT	210803500
17	GEARED MOTOR ASSY (1/3PH)	GEAR MOTOR	406008002
18	BELT PULLY DOWN (3PH)	BELT PULLY BOTTOM (3PH)	307004100
19	BELT PULLY DOWN (1PH)	BELT PULLY BOTTOM (1PH)	307004400
16	KEY	[SET 16/18 or 16/19] KEY	219001600
20	DASHER MOTOR (1/3PH)	DASHER MOTOR (1/3PH)	353020300
20-1	MOTOR START CAPACITOR (150uF)	MOTOR START CAPACITOR (150uF)	387001700
20-2	MOTOR RUN CAPACITOR (40uF)	MOTOR RUN CAPACITOR (40uF)	387001800
22	V-BELT (A-38)	V-BELT (A-38)	305002600
25	MIX LOW SENSOR ONE	[SET 25~29] MIX LOW SENSOR w/ HARNESS (Model used: ISI-203SN/P)	AE0019098700
26	MIX LOW SENSOR SHAFT		
27	MIX LOW DOWN CAP		
28	SHAFT POM PACKING		
29	MIX LOW PACKING ONE		
30	SENSOR POST	[SET 30~34, H1] MIX LOW SENSOR ASSY (Model used: SSI-203S)	470000600
31	SENSOR RING		
32	SENSOR POLE		
33	SENSOR PACKING		
34	PACKING SENSOR (B)		
H1	MIX LOW SENSOR HARNESS	[SET 30~34, H1] HARNESS	377038500
36	THERMAL SENSOR CYLINDER	FREEZER THERMAL SENSOR	317075102
37	THERMAL SENSOR MIX	HOPPER THERMAL SENSOR	317101901
35	SPARK KILLER	SPARK KILLER	387000600



No	Part name	Description	Part code
1	SOLENOID VALVE COIL	SOLENOID VALVE COIL	340011600
2	SOLENOID VALVE BODY	SOLENOID VALVE	340014100
3	E.P.R	E.P.R	523000300
4	CAPILLARY 09200	CAPILLARY	325000300
5	FILTER DRYER	HOPPER DRYER	372002601
6	CONDENSER ASSY	CONDENSER ASSY	411009700
7	FILTER DRYER	FILTER DRYER	372001200
8	COMP/TAJ2446Z (220V/60HZ/3PH)	[SET 8/8-1] FREEZER COMPRESSOR w/ STARTER KIT (3PH)	394011400
8-1	OLP	[SET 8/8-1] OLP (3PH)	658008500
9	COMP/CAJ2446Z (220V/60HZ/1PH)	[SET 9/9-1/9-2] FREEZER COMPRESSOR (1PH)	394005100
9-1	ASSY CSR BOX (FREEZER/CAJ2446Z)	[SET 9/9-1/9-2] STARTER KIT (1PH)	426059900
9-2	OLP	[SET 9/9-1/9-2] OLP (1PH)	658006000
12	HOPPER COMPRESSOR	[SET 12/12-1/2/3] HOPPER COMPRESSOR	394008800
12-1	START-RELAY GL60TG	[SET 12/12-1/2/3] START RELAY	397009700
12-2	START CAPACITOR GL60TG	[SET 12/12-1/2/3] START CAPACITOR	659007700
12-3	OLP GL60TG	[SET 12/12-1/2/3] OLP	658001100
13	FAN MOTOR (220V/60HZ/1,3PH)	FAN MOTOR	353018101
15	FAN	FAN BLADE	308003100
16	EXPANSION VALVE	EXPANSION VALVE	340006100
17	AXIAL FAN	HOPPER FAN	353009900
18	HIGH PRESSURE SWITCH	HIGH PRESSURE SWITCH	355007700
-	ACCUMULATOR (LEFT)	ACCUMULATOR (LEFT)	407028800
-	ACCUMULATOR (RIGHT)	ACCUMULATOR (RIGHT)	407028900



No	Part name	Description	Part code
1	CONTROL PCB	CONTROL PCB	367006002
2	MAGNET (3a)	MAGNETIC CONTACTOR COMPRESSOR	322003800
3	MAGNET (2a)	MAGNETIC CONTACTOR MOTOR	322002300
4	EMPR (60T/30A)	EMPR (60T/30A)	356000600
5	RELAY (730-2TB)	RELAY (730-2TB)	602000500
6	ASSY TERMINAL BLOCK (220V/60HZ/1PH)	TERMINAL BLOCK (1PH)	704000400
	ASSY TERMINAL BLOCK (220V/60HZ/3PH)	TERMINAL BLOCK (3PH)	704000300
7	DMR	DMR	602000300



No	Part name	Description	Part code
1	MICRO SWITCH	MICRO SWITCH	460002700
2	SWITCH	POWER SWITCH	355012400
3	BUTTON FRAME	BUTTON FRAME (OLD)	440009504
4	BUTTON DISPLAY	BUTTON DISPLAY	440030500
6	DISPLAY PCB	DISPLAY PCB (VER 4.7)	367005704
7	BUTTON PCB	BUTTON PCB	367005901
8	MAIN PCB	MAIN PCB	367005805