



ICE / WATER
DISPENSER

ID-0160-AN

AIR COOLED

KEY FEATURES:

- 160 lbs daily ice production (70F/50F)
- 5.3 lbs ice storage capacity
- Rugged stainless steel evaporator & auger
- Slim & compact size for space saving
- Sliding front panel for maintenance
- Three modes available (ICE / WATER / ICE & WATER)
- Automatic flush for scale prevention
- UV sterilization for bacteria prevention
- ABS front door and rust proof side panels
- R-134A refrigerant
- Power cord with NEMA 5-15 plug

STANDARD WARRANTY:

- ID-0160-AN: 3-Year Parts & Labor
- Compressor: 5- Year Parts & 3-Year Labor



IDS-0350 Stand (option)
shown with ID-0160-AN



UV Sterilization

Detachable inner chute for cleaning and sterilization



1. Counter top and air flow from bottom to top
2. 5 lbs ice storage
3. Sliding front panel for maintenance
4. Serving ice, water, ice and water by three modes

CERTIFICATIONS



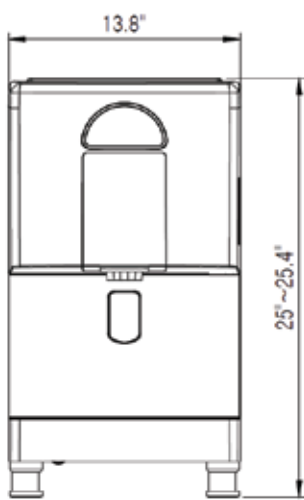
Recommended Water Filtration: IcePro DIS

- Controls scale forming water
- Provides continuous ice production
- 2nd stage carbon filtration to make drinking water taste great
- Built in multi-stage filtration to prevent premature clogging
- Connects to any 3/8" cold water line
- Easy cartridge change-out

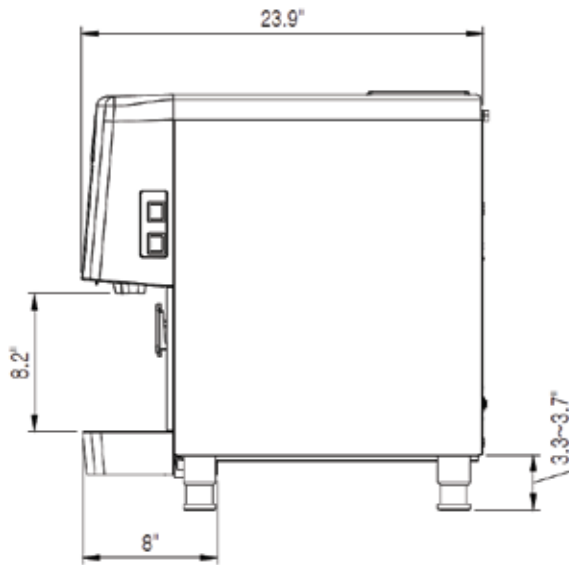
ID-0160-AN

ICE / WATER DISPENSER

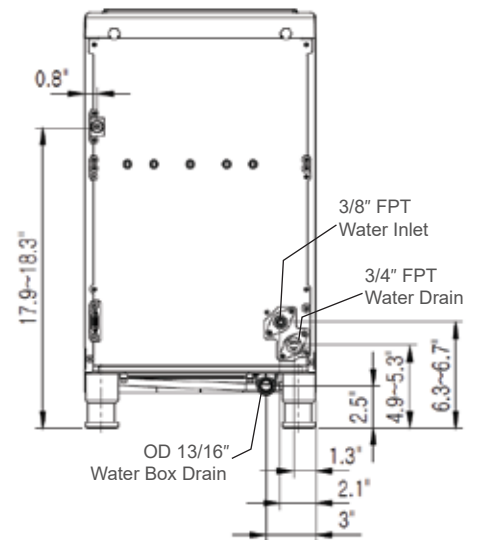
PLAN VIEW



FRONT VIEW



SIDE VIEW



BACK VIEW

MODEL	DIMENSIONS	WIDTH	DEPTH	HEIGHT	WEIGHT	
ID-0160-AN	Inch	13.8"	23.8"	24.8"	106 lbs (Net)	112 lbs (Shipping)

SPECIFICATIONS

Model	Ice Type	Ice Production 24 hrs		Water usage Gal / 100 lbs ice	Power kWh / 100 lbs ice	Electrical (V/Hz/ph)	Condenser	Minimum Circuit Breaker (A)
		Air/Water 70°F / 50°F	Air/Water 90°F / 70°F					
ID-0160-AN	Nugget	160 lbs	106 lbs	13	6.5	115 / 60 / 1	Air Cooled	15

OPERATING LIMITS	MIN	MAX
AMBIENT TEMP RANGE	50 °F	100 °F
WATER TEMP RANGE	50 °F	90 °F
WATER PRESSURE	20 psi (1.38 bar)	80 psi (5.52 bar)

ICE TYPE:



IDS-0350 Stand (option)
shown with ID-0160-AN



* Design and specifications are subject to change without prior notice.