





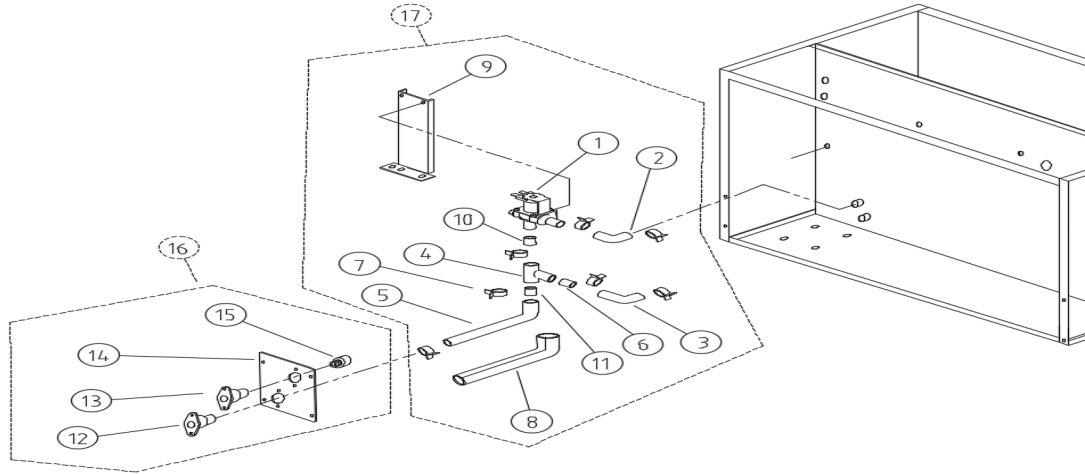




# WM-0680-AC/AH

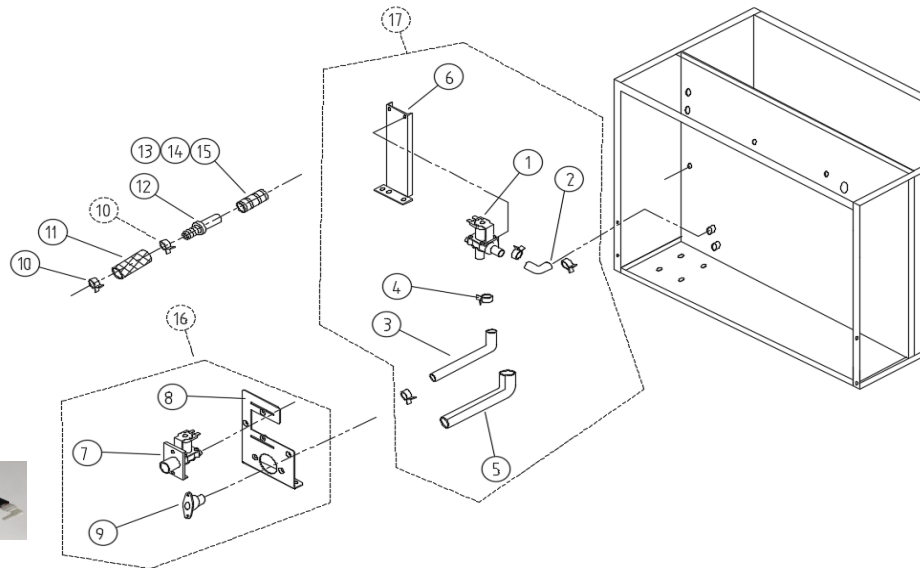
\* Manufactured before January 2018

## [ WATER IN/OUT ASSY ]



NO	ITEMS	* CODE
1	DUMP VALVE	340025800
2	ELBOW HOSE	229026900
3	ELBOW HOSE	229012300
4	HOSE (T)	229011100
5	HOSE PUMP OUT	229012100
6	PIPE	325011400
7	BAND SPRING 23 * 7EA	203002200
8	FOAM PE (PUMP MOTOR IN/OUT	306026800
9	BRACKET DRAIN VALVE	301118100
10	HOSE-PVC (DRAIN)	229009900
11	PIPE	325011400
12	SOCKET (3/4" NPT)	215013400
13	SOCKET (3/8" NPT)	215013500
14	BRACKET ICEMAKING WATER	301128100
15	STRAIGHT ADAPTOR	398013400
16	WATER IN OUT ASSY-NPT	417016600
17	SUB DRAIN VALVE	417016100

\*\* Manufactured after January 2018



NO	ITEMS	** CODE
1	DUMP VALVE	340025800
2	ELBOW HOSE	229026900
3	HOSE CONNECT OUT	229027300
4	BAND SPRING 23 * 4EA	203002200
5	FOAM PE (PUMP MOTOR IN/OUT	306026800
6	BRACKET DRAIN VALVE	301118100
7	WATER INLET VALVE	340027510
8	WATER IN-OUT BRACKET	301169000
9	SOCKET (3/4" NPT)	215013400
10	BAND SPRING 15 * 2EA	203003800
11	BRAIDED SILICONE HOSE	229027800
12	TUBE TO HOSE STEM	398014200
13	REDUCING ELBOW	398013700
14	LOCKING CLIP 3/8"	224002000
15	LOCKING CLIP 1/4"	224002200
16	WATER IN OUT ASSY (0680 DOE)	417021200
17	SUB DRAIN VALVE (0680 DOE)	417016110
18	WATER INLET HOSE ASSY	469002820



18









