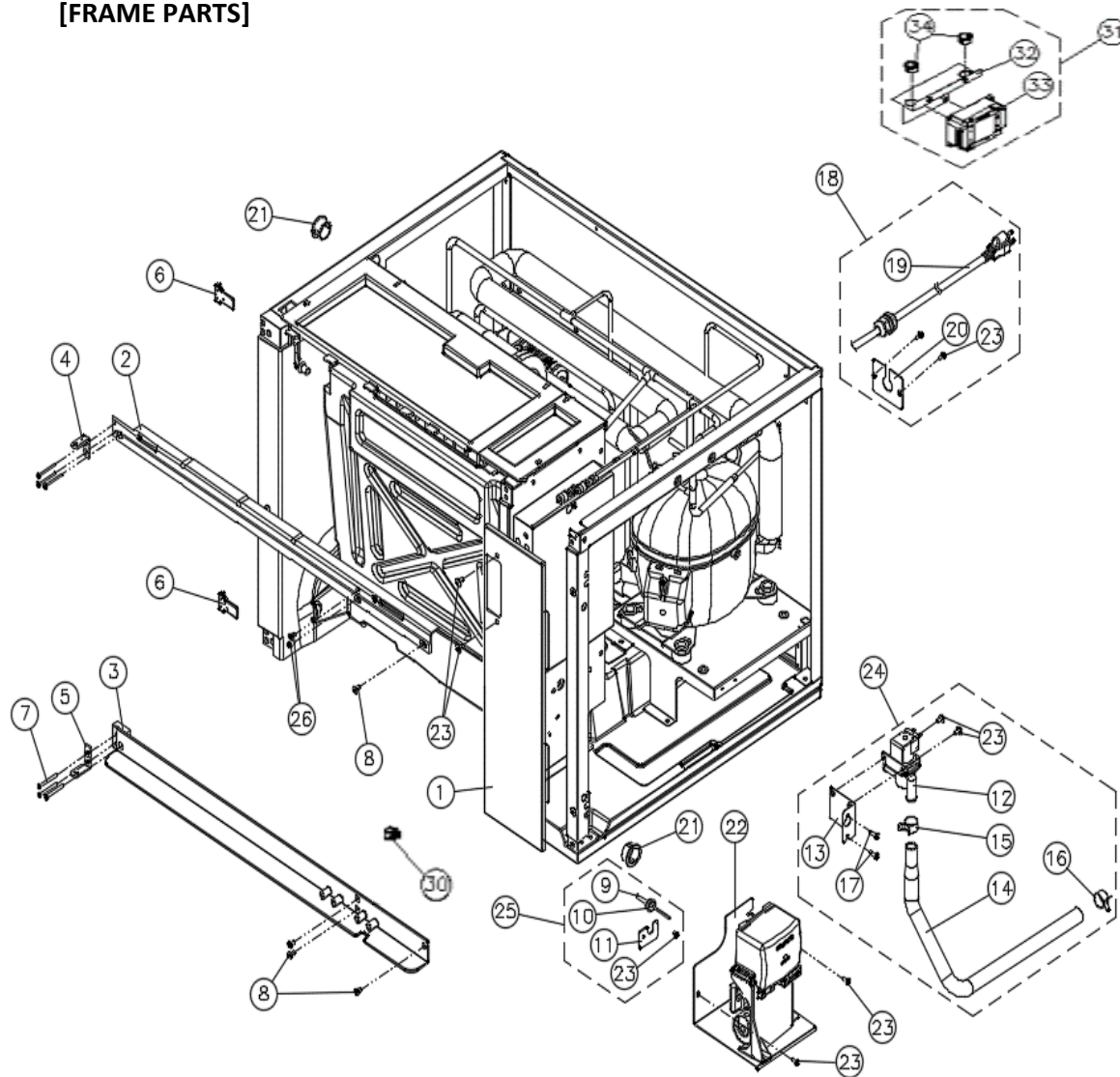


Revised Mar/2022

IM-0550-WC/WH

[FRAME PARTS]



NO	ITEMS	CODE	Q'TY
1	FRONT COVER	317195900	1
2	FRONT TOP SUPPORT	341012401	1
3	FRONT LOWER SUPPORT	341012501	1
4	HINGE BRACKET	321005110	1
5	HINGE BRACKET DOWN	321005210	1
6	HINGE SUPPORT	341012300	2
7	TAPPING SCREW	TFCQ0841R	6
8	MACHINE SCREW	MFCX1022R	4
9	CURTAIN SENSOR	701002000	1
10	SENSOR CAP	319009300	1
11	COVER BRACKET	301169400	1
12	DUMP VALVE	340026600	1
13	BRACKET, DUMP VALVE	301169600	1
14	PVC PIPE	229032100	1
15	BAND SPRING 20	203004200	1
16	BAND SPRING 21	203003300	1
17	TAPPING SCREW	TTCQ0826R	2
18	BKT & POWER CORD ASSY	722012440	1
19	POWER CORD	722012700	1
20	BRACKET POWER CORD	301096700	1
21	GROMMET BUSHING	232003500	2
22	BRACKET	301171201	1
23	MACHINE SCREW	MTCX0816R	9
24	DRAIN VALVE COMPLETE ASSY	#12~17,23	1
25	SENSOR PARTS COMPLETE	701003300	1
26	MACHINE SCREW	MFCX1025R	2
NEW DESIGN (starting with serial number VA/ ~)			
30	POWER SWITCH	355025100	1
31	NOISE FILTER ASSY	7220143B0	1
32	NOISE FILTER BRACKET	301171111	1
33	NOISE FILTER	500000900	1
34	BUSHING	232003600	1

