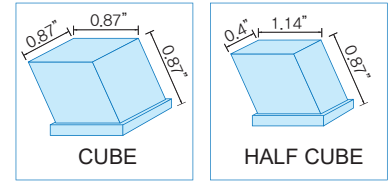




MAESTRO Series

Simplicity, Reliability, Longevity, and Performance



(Revised 07/12/2023)

NEW MODULAR Ice Machines

Product Image (w/bin)																	
Models		IM-0350-22	IM-0460-22	IM-0550-22	IM-0350	IM-0460	IM-0550	IM-0750	IM-1100	IM-1700	IM-2000						
Ice Type		C = Full Cube H = Half Cube															
Cooling Types*		A	A	A	A	A/W	A/W	A	A/W/R	A/W/R	A/W/R						
24-hour Ice Production (lbs.)	Air/Water 70°/50°F	A:	394	443	508	367	444	551	737	1106	1722	2050					
		W:					463	547		1036	TBD	TBD					
		R:								1081	1680	1980					
	Air/Water 90°/70°F	A:	311	327	383	292	364	399	575	873	1446	1600					
	W:					407	483		1004	TBD	TBD						
	R:								949	1468	1730						
Dimensions (inches)		22W x 24.8D x 22.6H				30W x 24.8D x 22.6H				30x24.8x30.3		48W x 24.5D x 30.4H					
Wt. (net/shipping) (lbs.)		143.3 / 168		143.3 / 171		152.1 / 171		162.3 / 184		162.3 / 189		185.2 / 218		231.5 / 262		322 / 366	
Electrical		115V / 60Hz / 1-phase						208-220V / 60Hz / 1-phase									
Power Consumption (kWh/100 lbs. of ice-air)		6.25	6.21	6.08	6.25	5.43	5.91	5.59	4.99	4.66	4.24						
Energy Star (air/remote)																	
Applicable Bins		IB-026-22, IB-033, IB-044				IB-033, IB-044				IB-044, IB-085-48			IB-085-48, Kloppenburg				

*A = air-cooled; W = water-cooled; R = remote (air-cooled)

COMMERCIAL WARRANTY

Ice Maker 3 years Parts & Labor	Evaporator 5 years Parts & Labor	Compressor 5 years part 3 yrs. Labor
-----------------------------------------------------------------------------------------------	------------------------------------------------------------------------------------------------	----------------------------------------------------------------------------------------------------



(714) 215 - 4864
(470) 567 - 8603

1202 W Struck Ave, Orange, CA 92867
6432 Warren Dr, Norcross, GA 90093

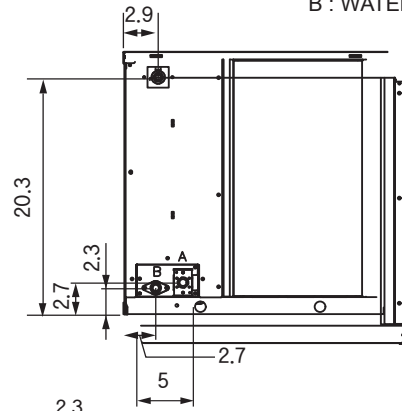
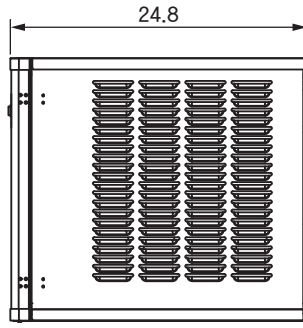
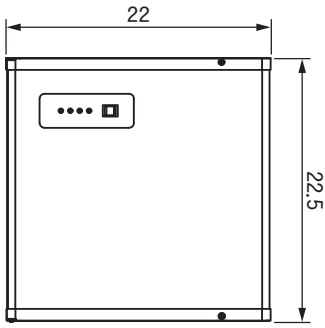
www.icetroamerica.com
icetro@icetroamerica.com



IM-0350-22, IM-0460-22, IM-0550-22

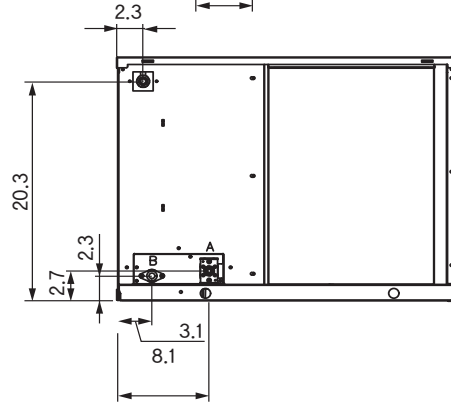
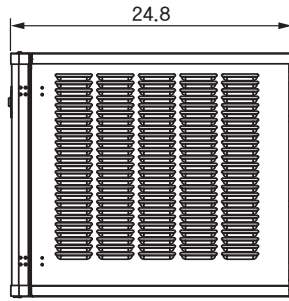
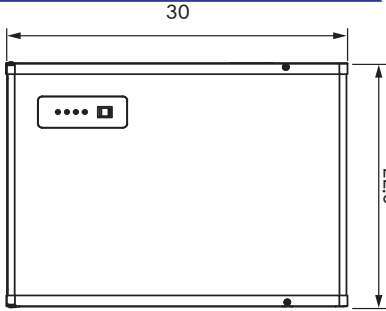
(Size : Inch)

A : WATER INLET (3/8" NPT)
B : WATER DRAIN (3/4" NPT)



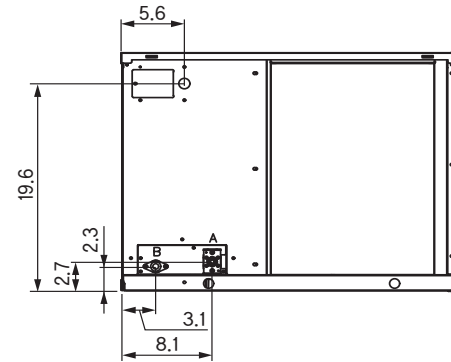
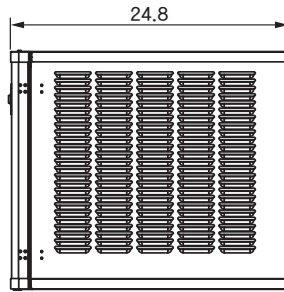
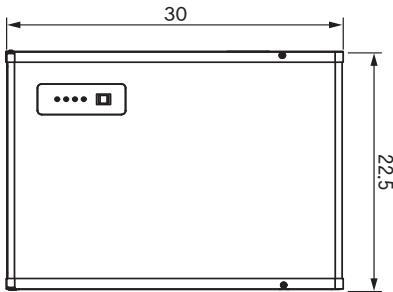
IM-0350, IM-0460, IM-0550

(Size : Inch)



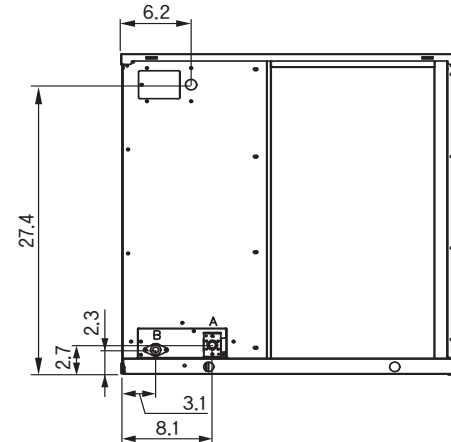
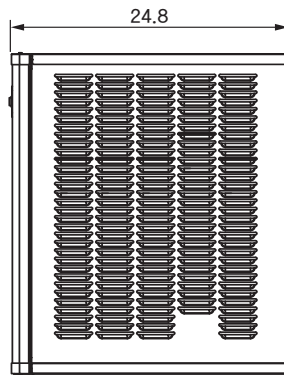
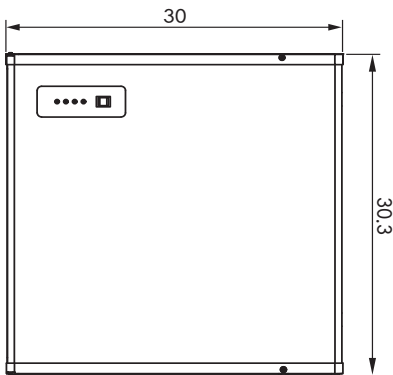
IM-0750

(Size : Inch)

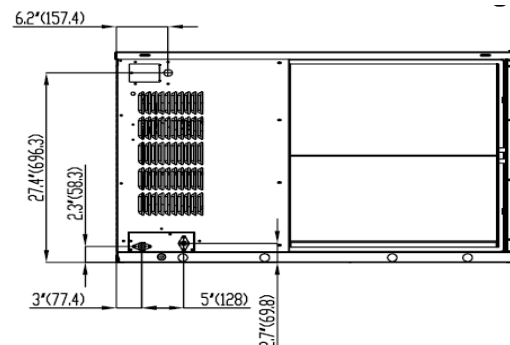
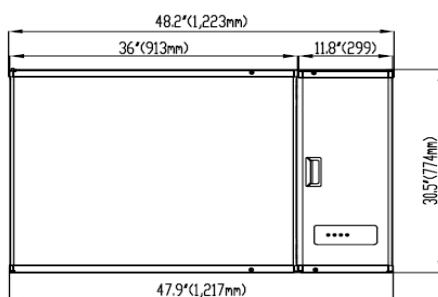
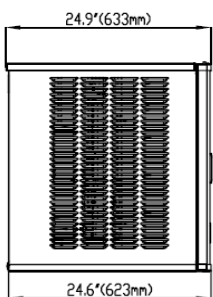


IM-1100

(Size : Inch)



IM-1700, IM-2000



MAESTRO MODULAR Ice Machines