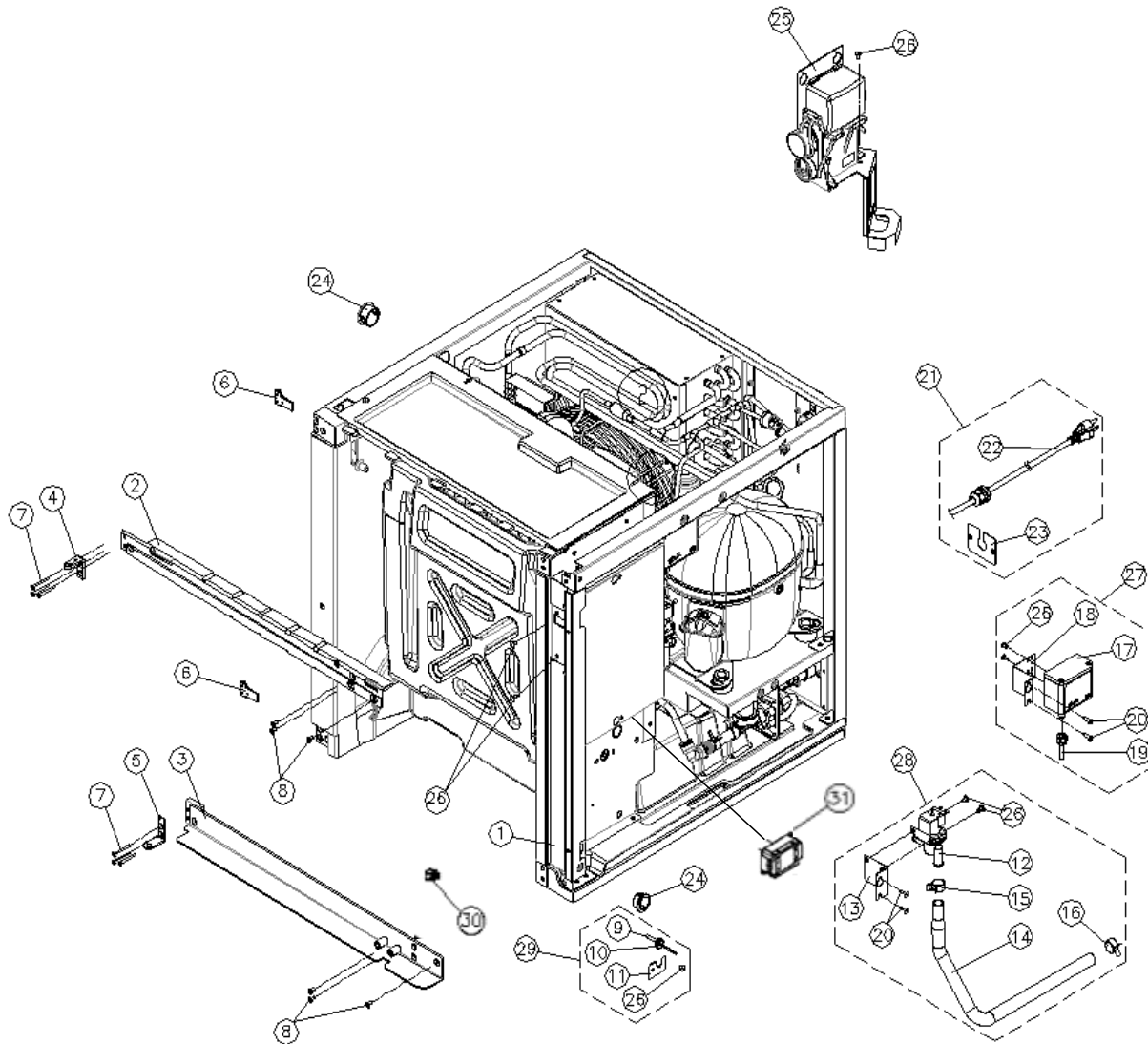


IM-0550-AC/AH-22

[WATER TROUGH ASSY]



| NO | ITEMS | CODE | Q'TY |
|--|-------------------------------|--------------|------|
| 1 | BASE FRONT SIDE FRAME(R) | 317203500 | 1 |
| 2 | FRONT TOP SUPPORT | 341014500 | 1 |
| 3 | FRONT LOWER SUPPORT | 341014600 | 1 |
| 4 | HINGE BRACKET | 321005110 | 1 |
| 5 | HINGE BRACKET DOWN | 321005210 | 1 |
| 6 | HINGE SUPPORT | 341012300 | 2 |
| 7 | TAPPING SCREW | TFCQ0841RP | 6 |
| 8 | MACHINE SCREW | MFCX1022RP | 6 |
| 9 | CURTAIN SENSOR | 701002000 | 1 |
| 10 | SENSOR CAP | 319009300 | 1 |
| 11 | COVER BRACKET | 301169400 | 1 |
| 12 | DUMP VALVE | 340026600 | 1 |
| 13 | BRACKET, DUMP VALVE | 301169600 | 1 |
| 14 | PVC PIPE | 229032100 | 1 |
| 15 | BAND SPRING 20 | 203004200 | 1 |
| 16 | BAND SPRING 21 | 203003300 | 1 |
| 17 | PRESSURE SWITCH | 355012700 | 1 |
| 18 | BRACKET | 301169700 | 1 |
| 19 | SOLDER ADAPTOR | 215018510 | 1 |
| 20 | TAPPING SCREW | TTCQ0826R | 3 |
| 21 | BKT & POWER CORD ASSY | 722014000 | 1 |
| 22 | POWER CORD | 722013900 | 1 |
| 23 | BRACKET POWER CORD | 301096700 | 1 |
| 24 | GROMMET BUSHING | 232003500 | 2 |
| 25 | BRACKET | 301181800 | 1 |
| 26 | MACHINE SCREW | MTCX0820R | 5 |
| 27 | PRESSURE SWITCH COMPLETE ASSY | #17~20,26 | 1 |
| 28 | DRAIN VALVE COMPLETE ASSY | #12~16,20,26 | 1 |
| 29 | SENSOR PARTS COMPLETE | 701003300 | 1 |
| NEW DESIGN (starting with serial number VB/ ~) | | | |
| 30 | POWER SWITCH | 355025100 | 1 |
| 31 | NOISE FILTER | 500000900 | 1 |
| | | | |
| | | | |

